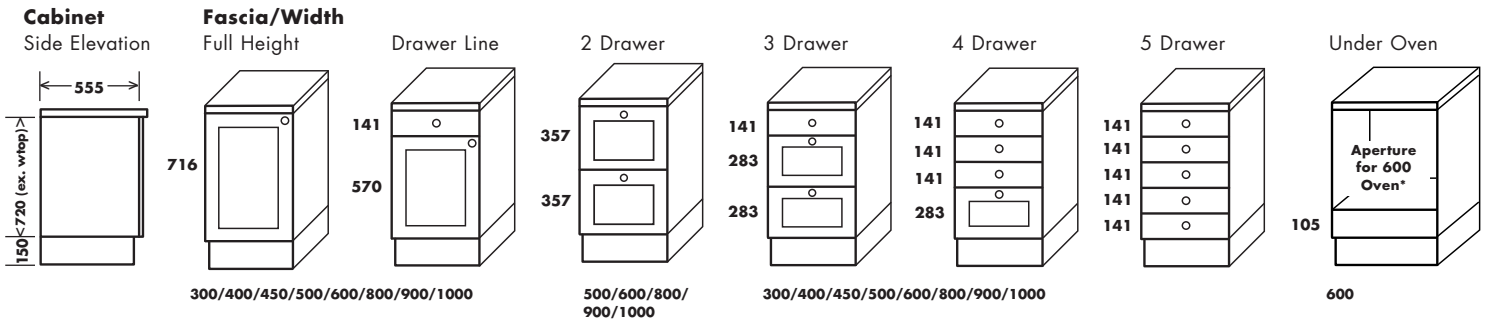
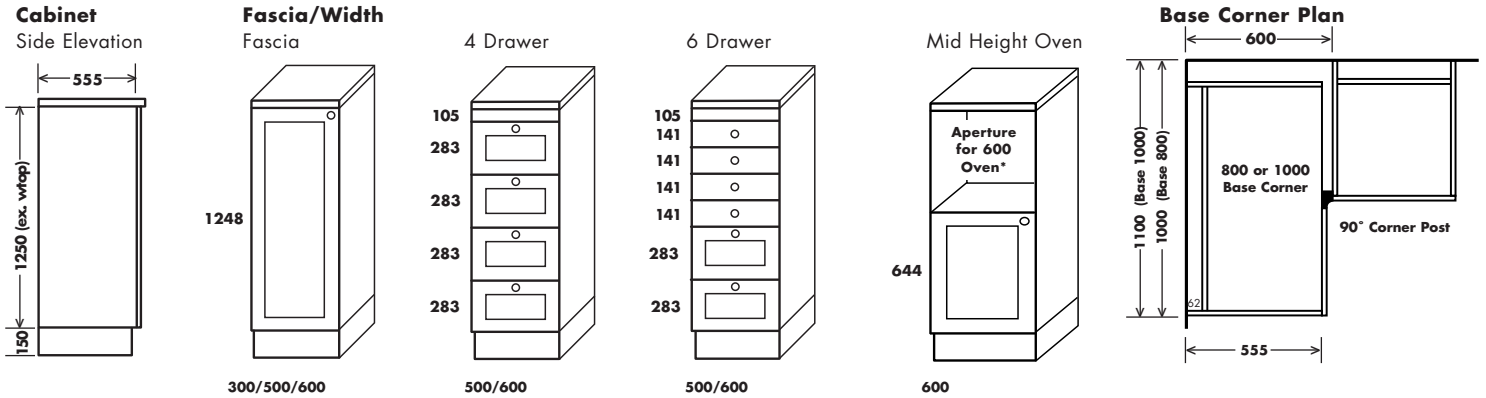


Base Cabinets

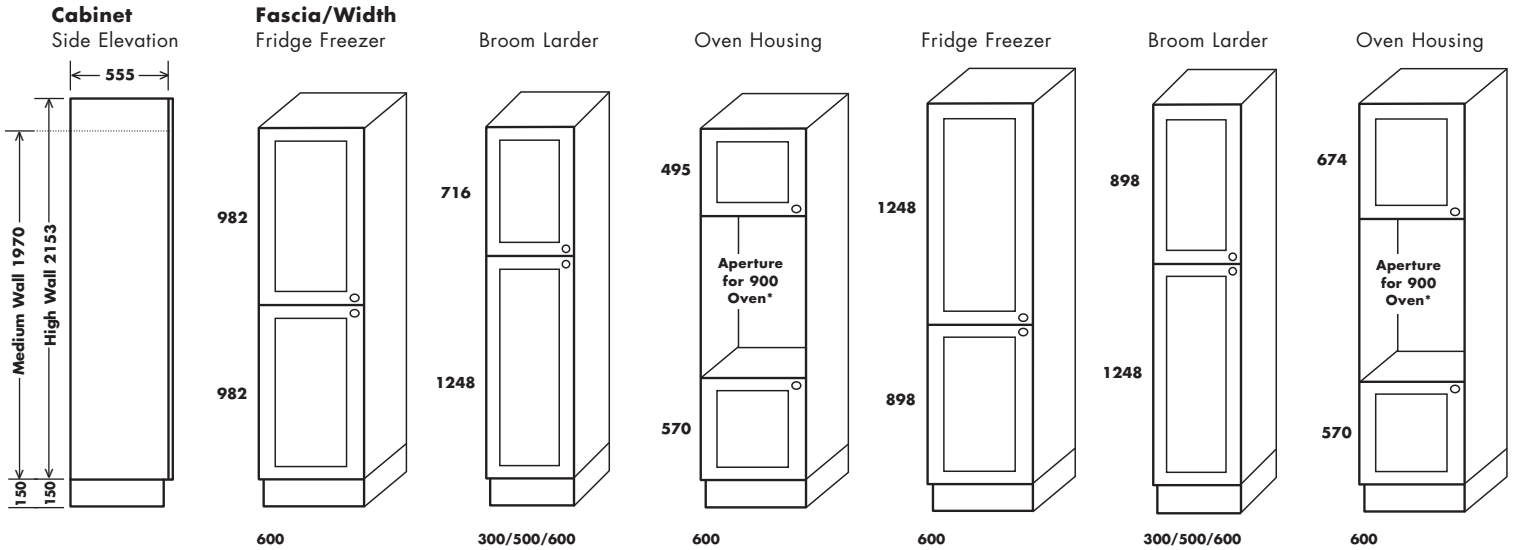


Mid Height Cabinets

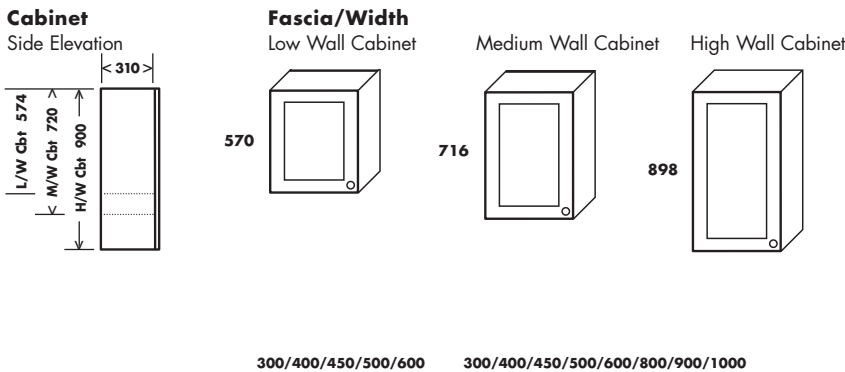


N.B. Please be aware that in certain instances Drawer Front handles may clash in corner situations.

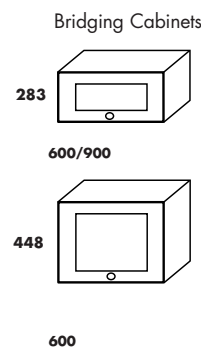
Tall Cabinets



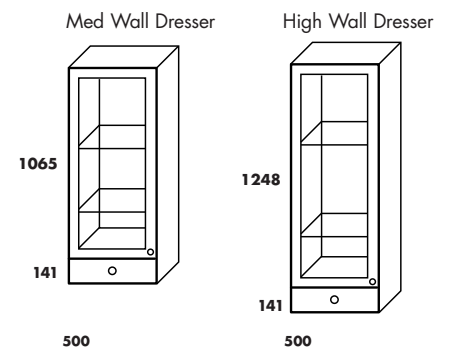
Wall Cabinets



Bridging Cabinets



Dresser Cabinets



*Illustrations are not truly representative. E. & O.E. * Crown can accommodate the majority of oven/microwave combinations. Please consult your Kitchen Specialist.*

All Crown Imperial kitchens are supplied with Crown's luxury drawer box with a cushioned soft close action.